

CABINETS
ENCLOSURE BOX
DISTRIBUTION BOX

产品选型手册
Model Catalogue



温州为焯电力科技有限公司

WENZHOU ONLYWY POWER TECH CO.,LTD

温州为焯电力科技有限公司
WENZHOU ONLYWY POWER TECH CO.,LTD

Add: Economic Development Zone Jing 3 Road, YueQing City,
Wenzhou,ZheJiang Province,China
M-phone/whatsAPP/wechat:+86-18757717196
Tel: 0577-62633711 Fax:0577-62633712
E-mail: info@onlywy.com
Website:www.onlywy.com

Alyssa zhao
WhatsApp 联系人



COMPANY企业简介

INTRODUCTION

Onlywy

温州为焯电力科技有限公司，地处中国电器之都——浙江省乐清市。滨临东海，南与温州万吨级国家港口相毗邻，北倚国家风景区雁荡山，交通便捷。

公司专业生产配电箱近20余年，拥有一批多年从事配电设备生产的专业技术人才，主要设计，生产、开发各类配电箱，低压开关柜，及不锈钢系列箱，是ISO9001,2000体系认证企业，工业配电箱系列产品取得国际电工(IEC60947-2-2013GE认证),欧盟(EN62208:2011.CE,防护等级认证(EN62262:2002耐压，防护等级认证)以及国家节能产品质量监督检验中心IP66.IP65防护等级认证。公司技术力量雄厚，管理制度完善，拥有5000平方米标准化厂房以及先进的激光加工设备，数控折弯机，表面喷涂，以及检测设备，产品远销欧洲，澳洲，中东，南美洲各大市场.在激烈的市场竞争中，公司奋力拼搏，秉承“诚信为本，信誉兴业，以质量求生存”的方针目标，用我们的专业来创造“优秀的产品质量，合理产品价格，快捷优质的售后服务”来和海内外新老客户进行全方位的合作。



Wenzhou Onlywy Power Tech Co.,Ltd is located in china electrical city-yueqing economic development zone wenzhou zhejiang china.

We are professional producing, developing and design for kinds of enclosure box,distribution box, electrical cabinetand stainless steel enclosure box about 20 years. Our factory has got national quality system certificate of ISO90001, IEC60947-2 -2013 GE,CE(EN62208: 2011),IK08 and IP66. IP65. We have strong technical strength, perfect management system and with 5000 square meters of standard workshop and advanced laser processing equipment, CNC bending machine, surface painting equipment and test equipment. The products are exported to Europe, Australia, Middle-East, South America etc. our principleis" excellent product quality, reasonable product price, quick and high quality after-sales service" Welcome you cooperate with us !



品质源于专业、更好、更快、无处不在！
Quality comes from professionalism, better, faster, everywhere!

CONTENTS

目录

- 01-04** JXF动力配电箱
JXF TYPE METAL ENCLOSURE BOX
- 05** JFF户外防雨配电箱
JFF TYPE WATERPROOF OUTDOOR ENCLOSURE BOX
- 06** 双门JXF动力配电箱
JXF type inner door enclosure box
- 07** 分位式动力配电箱
MODULAR KIT BOX
- 09** 不锈钢动力配电箱
STAINLESS STEEL ENCLOSURE BOX
- 10-11** 落地式机柜
FLOOR STANDING CABINET
- 12-17** XI独立式控制柜系列
XI stand-alone control cabinet series
- 18-19** 组合柜系列
Combined cabinet series
- 20-23** 不锈钢组合柜系列
Stainless steel combined cabinet series
- 24** XI-A小型断路器分位箱
PXI-A METAL DISTRIBUTION BOX
- 25** XI-B小型断路器分位箱
XI-B METAL DISTRIBUTION BOX
- 26** XI-C小型断路器分位箱
XI-C METAL DISTRIBUTION BOX
- 27-30** 配电箱附件
ACCESSORIES
- 31-32** 设计成果展示
PROJECT CASE

CERTIFICATE
资质证书

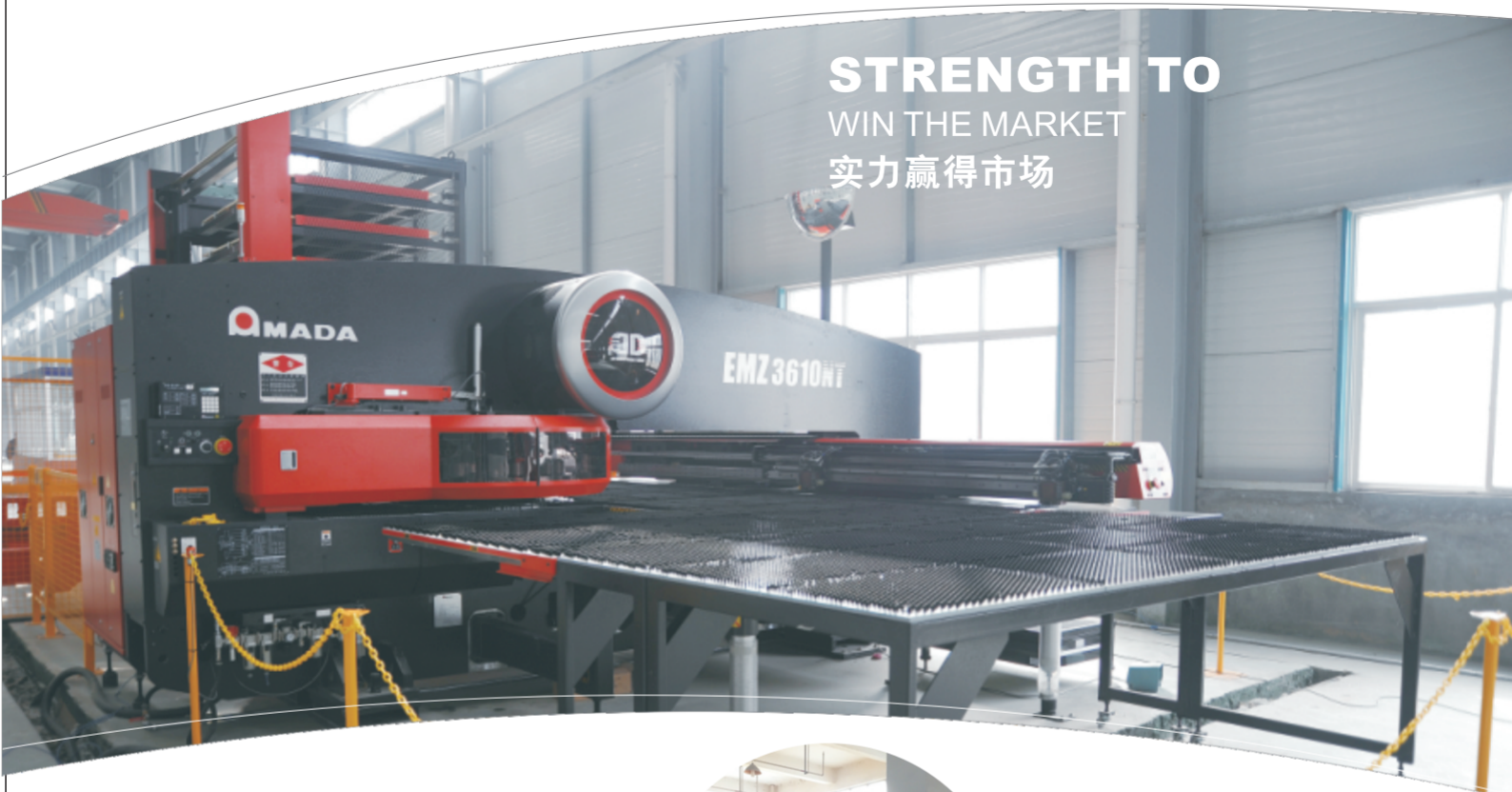


» 未完待续……
To be continued...

防水防腐抗冲击 精工锻造更安全!

The water-proof and anti-corrosion and impact-resistant finish forging is safe!

STRENGTH TO
WIN THE MARKET
实力赢得市场



PRODUCTION EQUIPMENT 生产设备

技术专家直接参与生产，精心制造，为每一台产品提供可靠的质量保证。与日俱增的创新意识和持之以恒的精细制造，令我们的产品日新月异，无论世界如何变换，新秀人对产品质量的严格要求始终不变。

Technical experts directly take part in production for expertly manufacturing, providing quality assurance for every product. Increasing innovative ideas and constantly precise manufacturing make sure that our products can update rapidly and stably. No matter how the world changes, the pursuit for high quality products remains eternal.



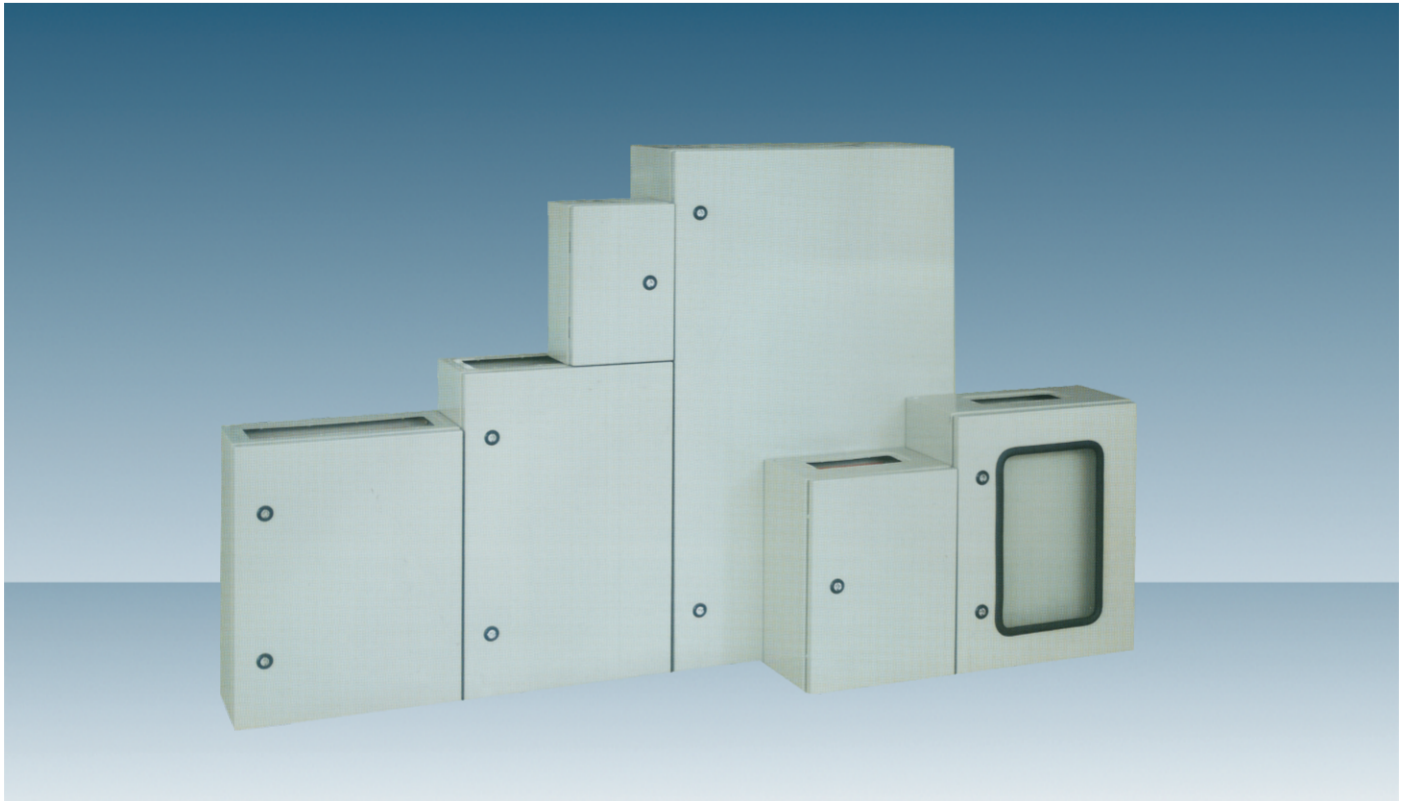
FERMAROR K31
在室温下反应的双组分聚氨酯
用于现场发泡成型的密封加工技术

>> 车间一角
Corner of the workshop



管理出精品 管理出效益

EXCELLENT PRODUCT DUE TO ADMINISTRATION
ADMINISTRATION RESULT IN BENEFIT



JXF动力配电箱

JXF TYPE METAL ENCLOSURE BOX

产品概述 Product features

JXF动力配电箱：是一种根据原件型号，规格，数量设计组装成各种控制功能的挂墙式配电箱，箱体的尺寸大小可以任意选择。焊接工艺采用全封闭氩弧焊接法，门板采用聚安脂防水材料，通过加工设备直接涂粘在产品门内侧，同箱体结构能结合到相当完善的密封，使其防护等级达到IP65.IP66。内外部色彩喷涂用环保热固性粉末涂料，采用高温先进喷涂设备工艺加工，能够使产品在各类复杂的环境下不会生锈，表面涂料脱落。有良好的抗氧化功能。标准色彩为：RAL7032，RAL7035也可根据用户订做各种色彩。产品材料采用冷轧钢板制作

JXF type is indoor enclosure box ,it is finished with thermosetting epoxy polyester powder coating . The color have RAL7032. RAL7035 etc . Protection degree IP65.IP66 . the material is cold rolled steel. We can make different size and thickness and also can do the special design and manufacture according to the customer's requirements .

JXF动力配电箱

JXF TYPE METAL ENCLOSURE BOX

产品技术参数

Main technique parameter

产品尺寸(mm) Size			材料厚度(mm) Thickness			进出线 孔尺寸 Bottom hole size	锁 数量 Lock QTY	安装板尺寸(mm) Mounting plate size	
H	W	D	门 Door	体 Body	底 M.P			L	M
200	200	150	1.2	1.2	2	A	1	150	150
250	200	150	1.2	1.2	2	A	1	200	150
300	200	150	1.2	1.2	2	A	1	250	150
300	200	200	1.2	1.2	2	A	1	250	150
300	250	150	1.2	1.2	2	A	1	250	200
300	250	200	1.2	1.2	2	A	1	250	200
300	300	150	1.2	1.2	2	B	1	250	250
300	300	200	1.2	1.2	2	B	1	250	250
300	300	250	1.2	1.2	2	B	1	250	250
400	300	150	1.2	1.2	2	B	1	350	250
400	300	200	1.2	1.2	2	B	1	350	250
400	300	250	1.2	1.2	2	B	1	350	250
400	300	300	1.2	1.2	2	B	1	350	250
400	400	150	1.2	1.2	2	C	1	350	250
400	400	200	1.2	1.2	2	C	1	350	350
400	400	250	1.2	1.2	2	C	1	350	350
400	400	300	1.2	1.2	2	C	1	350	350
500	300	150	1.2	1.2	2	B	1	450	350
500	300	200	1.2	1.2	2	B	1	450	250
500	300	250	1.2	1.2	2	B	1	450	250
500	400	150	1.2	1.2	2	C	1	450	350
500	400	200	1.2	1.2	2	C	1	450	350
500	400	250	1.2	1.2	2	C	1	450	350
500	400	300	1.2	1.2	2	C	1	450	350
500	500	200	1.2	1.2	2	D	1	450	450
500	500	250	1.2	1.2	2	D	1	450	450
500	500	300	1.2	1.2	2	D	1	450	450
600	400	150	1.2	1.2	2	C	2	550	350
600	400	200	1.2	1.2	2	C	2	550	350
600	400	250	1.2	1.2	2	C	2	550	350
600	400	300	1.2	1.2	2	C	2	550	350
600	500	150	1.2	1.2	2	D	2	550	450
600	500	200	1.2	1.2	2	D	2	550	450
600	500	250	1.2	1.2	2	D	2	550	450
600	500	300	1.2	1.2	2	D	2	550	450
600	600	150	1.2	1.2	2	D	2	550	550
600	600	200	1.2	1.2	2	D	2	550	550
600	600	250	1.2	1.2	2	D	2	550	550
600	600	300	1.2	1.2	2	D	2	550	550
700	500	150	1.2	1.2	2	D	2	650	450
700	500	200	1.2	1.2	2	D	2	650	450
700	600	200	1.2	1.2	2	D	2	650	550
700	600	250	1.2	1.2	2	D	2	650	550
700	600	300	1.5	1.5	2	D	2	650	550
800	600	200	1.5	1.5	2	D	2	750	550
800	600	250	1.5	1.5	2	D	2	750	550
800	600	300	1.5	1.5	2	D	2	750	550
800	800	200	1.5	1.5	2	F	2	750	750
800	800	250	1.5	1.5	2	F	2	750	750
800	800	300	1.5	1.5	2	F	2	750	750
1000	600	200	1.5	1.5	2	D	2	950	550
1000	600	250	1.5	1.5	2	D	3	950	550
1000	600	300	1.5	1.5	2	D	3	950	550
1000	700	200	1.5	1.5	2	D	3	950	650
1000	800	200	1.5	1.5	2	F	3	950	750



JXF动力配电箱 JXF TYPE METAL ENCLOSURE BOX

产品技术参数 Main technique parameter

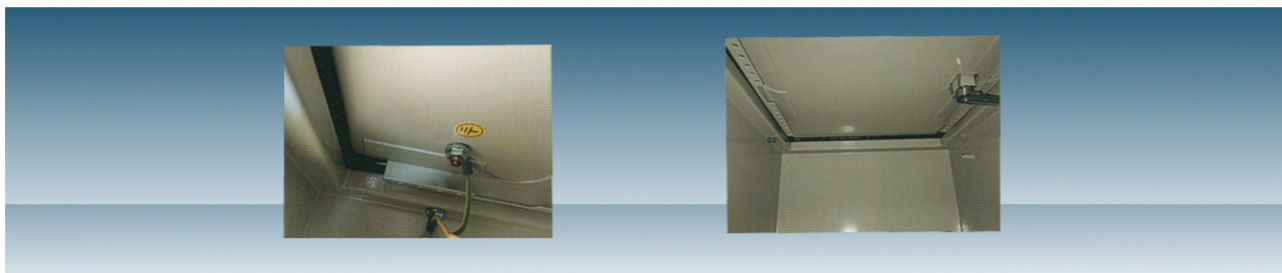
产品尺寸(mm) Size			材料厚度(mm) Thickness			进出线 孔尺寸 Bottom hole size	锁数量 Lock QTY	安装板尺寸(mm) Mounting plate size	
H	W	D	门 Door	体 Body	底 M.P			L	M
1000	800	250	1.5	1.5	2	F	3	950	750
1000	800	300	1.5	1.5	2	F	3	950	750
1000	800	400	1.5	1.5	2	F	3	950	750
1000	1000	250	1.5	1.5	2	G	3	950	950
1000	1000	300	1.5	1.5	2	G	3	950	950
1200	600	200	1.5	1.5	2	D	3	1150	550
1200	600	250	1.5	1.5	2	D	3	1150	550
1200	600	300	1.5	1.5	2	D	3	1150	550
1200	800	200	1.5	1.5	2	F	3	1150	750
1200	800	250	1.5	1.5	2	F	3	1150	750
1200	800	300	1.5	1.5	2	F	3	1150	750
1200	800	400	1.5	1.5	2	F	3	1150	750
1200	1000	250	1.5	1.5	2	G	3	1150	750
1200	1000	300	1.5	1.5	2	G	3	1150	950
1200	1000	400	1.5	1.5	2	G	3	1150	950
1400	600	300	1.5	1.5	2	D	3	1350	550
1400	800	300	1.5	1.5	2	F	3	1350	750
1400	800	400	1.5	1.5	2	F	3	1350	750
1400	1000	300	1.5	1.5	2	G	3	1350	950
1400	1200	300	1.5	1.5	2	G	3	1350	1150



门板加强扎线架实物图 Stiffener on the door

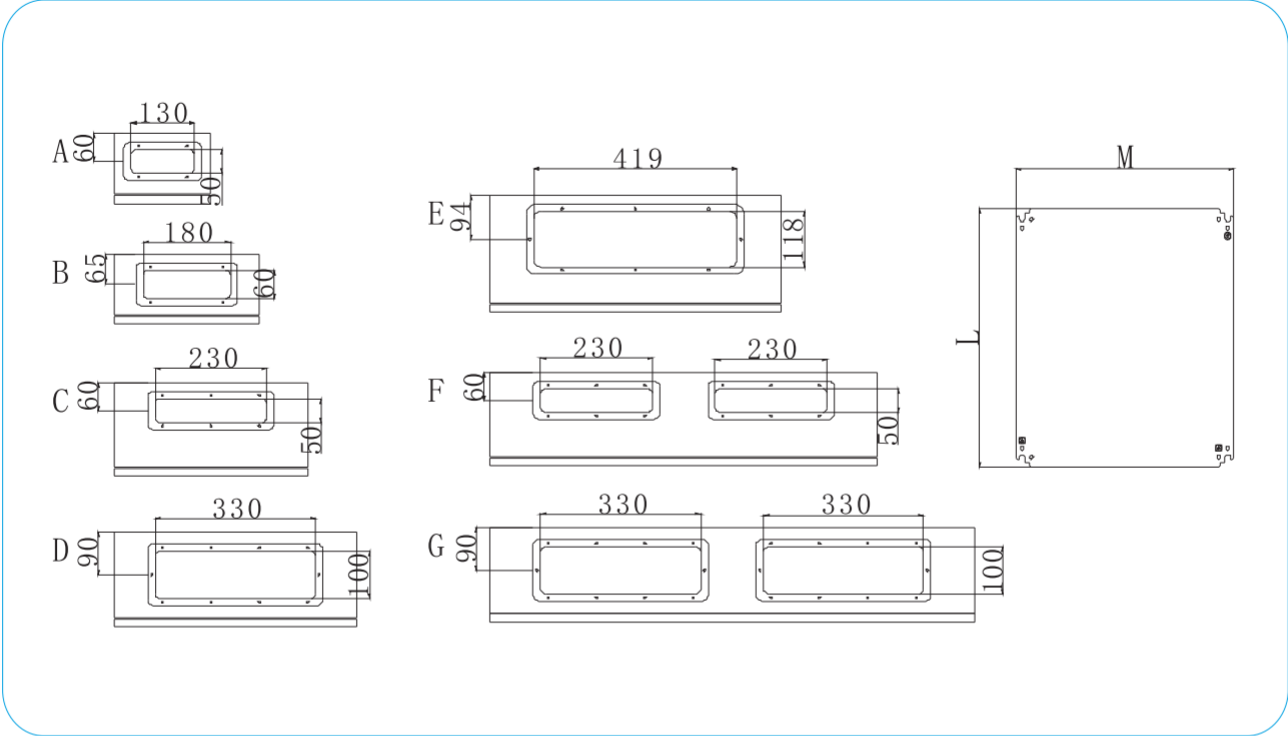


门箱密封性实物图 Sealability photo



JXF动力配电箱
JXF TYPE METAL ENCLOSURE BOX

进出线孔示意图
Bottom holes size drawing



JFF户外防雨配电箱

JFF TYPE WATERPROOF OUTDOOR ENCLOSURE BOX

产品技术参数

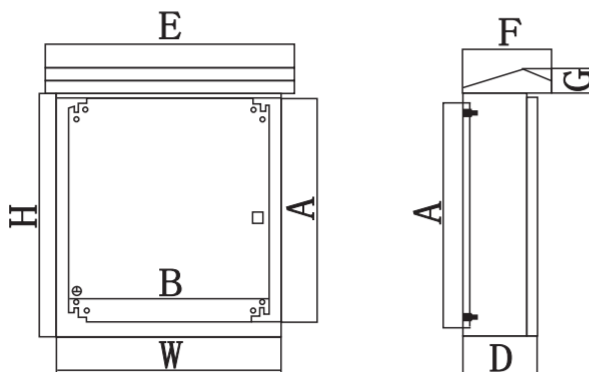
Main technique parameter

产品尺寸(mm) Size			材料厚度(mm) Thickness			进出线 孔尺寸 Bottom hole size	锁数量 Lock QTY	安装板 尺寸(mm) Mounting plate size	
H	W	D	门 Door	体 Body	底 M.P			L	M
350	250	230	1.2	1.2	2	A	1	250	150
350	350	330	1.2	1.2	2	B	1	250	250
450	350	200	1.2	1.2	2	B	1	350	250
450	350	230	1.2	1.2	2	B	1	350	250
550	450	200	1.2	1.2	2	C	1	450	350
550	450	230	1.2	1.2	2	C	1	450	350
650	450	180	1.2	1.2	2	C	2	550	350
650	450	230	1.2	1.2	2	C	2	550	350
650	550	230	1.2	1.2	2	D	2	550	450
650	550	280	1.2	1.2	2	D	2	550	450
750	550	230	1.2	1.2	2	D	2	650	450
750	550	280	1.2	1.2	2	D	2	650	450
850	550	230	1.5	1.5	2	D	2	750	450
850	550	280	1.5	1.5	2	D	2	750	450
850	650	230	1.5	1.5	2	D	2	750	550
850	650	280	1.5	1.5	2	D	2	750	550
1050	850	230	1.5	1.5	2	F	3	950	750
1050	850	280	1.5	1.5	2	F	3	950	750
1050	850	330	1.5	1.5	2	F	3	950	750
1250	850	230	1.5	1.5	2	F	3	1150	750
1250	850	280	1.5	1.5	2	F	3	1150	750
1250	850	330	1.5	1.5	2	F	3	1150	750

产品技术参数

Main technique parameter

H(mm)	W(mm)	D(mm)	E(mm)	F(mm)	G(mm)	A(mm)	B(mm)
400	300	200	350	230	50	350	250
500	400	200	450	230	50	450	350
500	400	250	450	280	50	450	350
600	500	200	550	230	50	550	450
700	500	200	550	230	50	650	450
700	500	250	550	280	50	6350	450
800	600	200	650	230	50	750	550
1000	800	300	850	330	50	950	750
1200	1000	300	1050	330	50	1150	950



产品概述

Product features

JFF户外防雨配电箱：根据原件型号，规格，数量设计组装成各种控制功能的户外防雨型配电箱，箱体的尺寸大小可以任意选择。焊接工艺采用全封闭氩弧焊接法，门板采用聚安脂防水材料，通过加工设备直接涂粘在产品门内侧，同箱体结构能结合到相当完善的密封，使其防护等级达到IP55.IP66。内外部色彩喷涂采用环保热固性户外粉末涂料，采用高温先进喷涂设备工艺加工，能够使产品在各类复杂的环境下不会生锈，表面涂料脱落。有良好的抗氧化功能。标准色彩为：RAL7032，RAL7035也可根据用户订做各种色彩。产品材料采用冷轧钢板制作

JFF type is waterproof outdoor enclosure, Paint finish epoxy polyester powder coating textured finish . the material is cold rolled steel and the color have RAL7032 or RAL7035 etc. Protection degee is IP65 and IP66. We can make different size and thickness and also can do the special design and manufacture according to the customer's requirements .



双门JXF动力配电箱

JXF type inner door enclosure box

产品概述

Product features

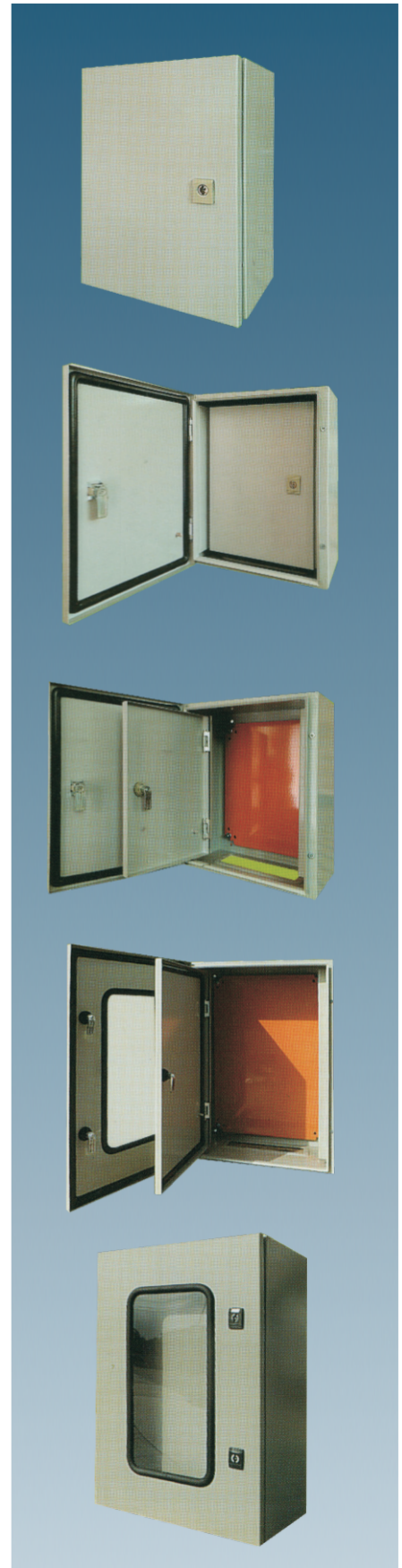
双门JXF动力配电箱：采用JXF动力配电箱相同生产工艺。根据特殊使用环境要求，配电设备上电源信号指示，操作开关等其他电器元件不能直接曝露在外而设计的一种更加安全操作的配电箱。外门起到密封防护，内门安装操作开关，电源信号等元器件。外门可开具玻璃观察窗适用于矿山,船舶,机器设备,军工等特殊场所 标准色彩为：RAL7032，RAL7035 也可根据用户订做各种色彩。产品材料采用冷轧钢板制作。

JXF type inner door enclosure box paint finish epoxy polyester powder coating textured finish . Color have RAL7032 .RAL7035 .Protection degree IP65.IP66 .material is cold rolled steel .and outside door can be made a glass windows . We can make different size and thickness and also can do the special design and manufacture according to the customer's requirements .

产品技术参数

Main technique parameter

产品尺寸(mm) Size			材料厚度(mm) Thickness			进出线 孔尺寸 Bottom hole size	锁数量 Lock QTY	安装板尺寸(mm) Mounting plate size	
H	W	D	门 Door	体 Body	底 M.P			L	M
300	300	200	1.2	1.2	2	B	1	250	250
400	300	200	1.2	1.2	2	B	1	350	250
400	300	250	1.2	1.2	2	B	1	350	250
400	400	250	1.2	1.2	2	C	1	350	350
500	400	200	1.2	1.2	2	C	1	450	350
500	400	250	1.2	1.2	2	C	1	450	350
500	500	250	1.2	1.2	2	D	1	450	450
600	400	200	1.2	1.2	2	C	2	550	350
600	400	250	1.2	1.2	2	C	2	550	350
600	500	200	1.2	1.2	2	D	2	550	450
600	500	250	1.2	1.2	2	D	2	550	450
600	600	250	1.2	1.2	2	D	2	550	550
700	500	200	1.2	1.2	2	D	2	650	450
700	600	250	1.2	1.2	2	D	2	650	550
800	600	250	1.5	1.5	2	D	2	750	550
800	600	300	1.5	1.5	2	D	2	750	550
800	800	250	1.5	1.5	2	F	2	750	750
1000	600	200	1.5	1.5	2	D	2	950	550
1000	600	250	1.5	1.5	2	D	3	950	550
1000	800	300	1.5	1.5	2	F	3	950	750
1000	800	400	1.5	1.5	2	F	3	950	750
1200	600	300	1.5	1.5	2	D	3	1150	550
1200	800	200	1.5	1.5	2	F	3	1150	750
1200	800	250	1.5	1.5	2	F	3	1150	750
1200	800	300	1.5	1.5	2	F	3	1150	750
1200	1000	300	1.5	1.5	2	G	3	1150	950
1200	1000	400	1.5	1.5	2	G	3	1150	950
1400	600	300	1.5	1.5	2	D	3	1350	550
1400	800	300	1.5	1.5	2	F	3	1350	750



分位式动力配电箱 MODULAR KIT BOX

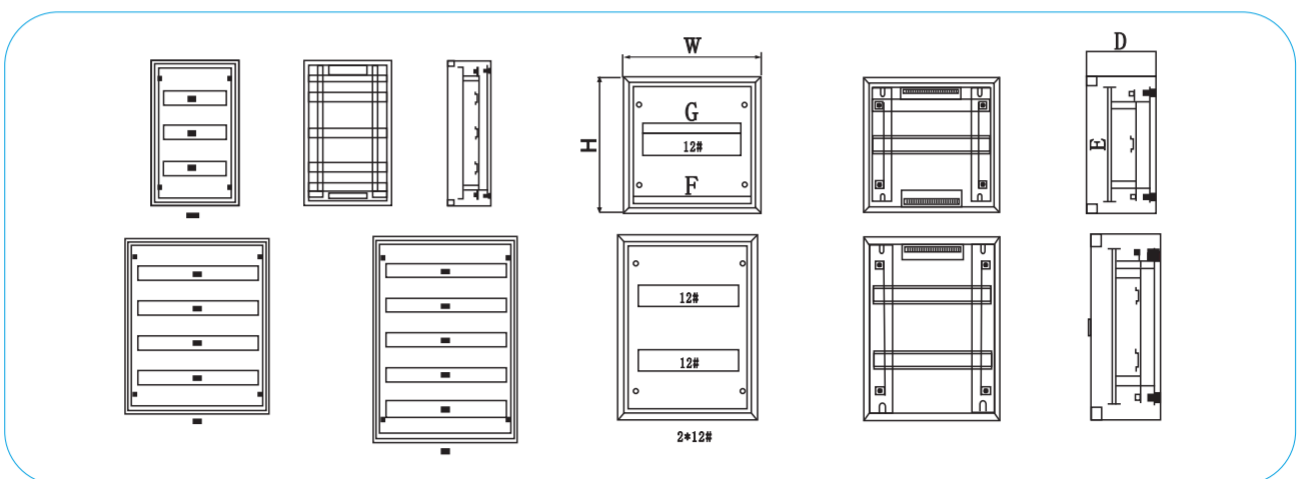
产品概述 Product features

分位式动力配电箱：采用JXF动力配电箱相同生产工艺。是一种只安装小型轨道式断路器定向类双门配电箱箱内部结构为轨道式安装支架，可根据开关适当调整高度内门开孔尺寸根据开关回路开孔适用于工矿，各种建筑场所照明，配电之用。标准色彩为：RAL7032，RAL7035也可根据用户订做各种色彩。产品材料采用冷轧钢板制作

Modular kit box is same as metal enclosur box , only the modular kit assembly for modular switch gear with adjustable symmetrical distance between sections of 35mm and cover plate from 40mm to 85mm depending on user . The material is cold roll- ed steel . color is RAL7032 ,RAL7035 etc . We can make different size and thickness and also can do the special design and manufacture according to the customer's requirements .

产品技术参数 Main technique parameter

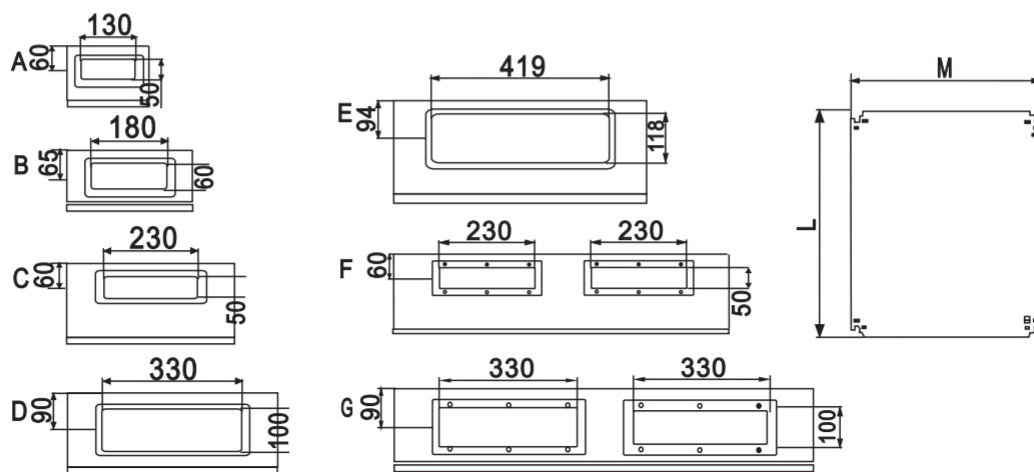
Model	H(mm)	W(mm)	D(mm)	E(mm)	F(mm)	G(mm)
1*12#	300	300	150	250	255	216
2*12#	400	300	150	350	255	2*218
3*12#	550	300	150	500	255	3*216
3*16#	550	400	150	500	355	3*288
4*22#	700	500	200	650	455	4*396
5*27#	800	600	200	750	555	5*486
6*27#	950	600	200	900	555	6*486



分位式动力配电箱 MODULAR KIT BOX

产品技术参数 Main technique parameter

产品尺寸(mm) Size			材料厚度(mm) Thickness			进出线 孔尺寸 Bottom hole size
H	W	D	门 Door	体 Body	底 M.P	
300	300	200	1.2	1.2	2	B
400	300	200	1.2	1.2	2	B
400	300	250	1.2	1.2	2	B
400	400	250	1.2	1.2	2	C
500	400	200	1.2	1.2	2	C
500	400	250	1.2	1.2	2	C
500	500	250	1.2	1.2	2	D
600	400	200	1.2	1.2	2	C
600	400	250	1.2	1.2	2	C
600	500	200	1.2	1.2	2	D
600	500	250	1.2	1.2	2	D
600	600	250	1.2	1.2	2	D
700	500	200	1.2	1.2	2	D
700	600	250	1.2	1.2	2	D
800	600	250	1.5	1.5	2	D
800	600	300	1.5	1.5	2	D
800	800	250	1.5	1.5	2	F
1000	600	200	1.5	1.5	2	D
1000	600	250	1.5	1.5	2	D
1000	800	300	1.5	1.5	2	F
1000	800	400	1.5	1.5	2	F
1200	600	300	1.5	1.5	2	D
1200	800	200	1.5	1.5	2	F
1200	800	250	1.5	1.5	2	F
1200	800	300	1.5	1.5	2	F
1200	1000	300	1.5	1.5	2	G
1200	1000	400	1.5	1.5	2	G
1400	600	300	1.5	1.5	2	D
1400	800	300	1.5	1.5	2	F



不锈钢动力配电箱 STAINLESS STEEL ENCLOSURE BOX

产品概述 Product features

不锈钢动力配电箱：是一种根据原件型号，规格，数量设计组装成各种控制功能的挂墙式配电箱，箱体的尺寸大小可以任意选择。焊接工艺采用全封闭氩弧焊接法，门板采用聚安脂防水材料，通过加工设备直接涂粘在产品门内侧，同箱体结构能结合到相当完善的密封，使其防护等级达到IP55.IP66。也可根据用户订做喷涂各种色彩。产品材料采用201.304.316不锈钢板制作

Stainless steel enclosure material have SS 201. 304 and 316 etc. the mounting plate is Galvanized steel . Protection degree IP55.IP65.and IP66.it's also can powder coating RAL7032 ,RAL7035 color . this enclosures are widely used in corrosive and rugged environment ,like food stuff industry and chemical industry etc.

产品技术参数 Main technique parameter

产品尺寸(mm) Size			材料厚度(mm) Thickness			进出线 孔尺寸 Bottom hole size	锁 数量 Lock QTY	安装板尺寸(mm) Mounting plate size	
H	W	D	门 Door	体 Body	底 M.P			L	M
250	200	150	1.2	1.2	2	A	1	200	150
300	200	150	1.2	1.2	2	A	1	250	150
300	200	200	1.2	1.2	2	A	1	250	150
300	250	150	1.2	1.2	2	A	1	250	200
300	250	200	1.2	1.2	2	A	1	250	200
300	300	150	1.2	1.2	2	B	1	250	250
400	300	150	1.2	1.2	2	B	1	350	250
400	300	200	1.2	1.2	2	B	1	350	250
400	400	150	1.2	1.2	2	C	1	350	250
400	400	200	1.2	1.2	2	C	1	350	350
500	400	200	1.2	1.2	2	C	1	450	350
500	400	250	1.2	1.2	2	C	1	450	350
500	500	200	1.2	1.2	2	D	1	450	450
500	500	250	1.2	1.2	2	D	1	450	450
600	400	200	1.2	1.2	2	C	2	550	350
600	500	200	1.2	1.2	2	D	2	550	450
600	500	250	1.2	1.2	2	D	2	550	450
600	600	250	1.2	1.2	2	D	2	550	550
700	500	200	1.2	1.2	2	D	2	650	450
700	600	250	1.2	1.2	2	D	2	650	550
800	600	200	1.5	1.5	2	D	2	750	550
800	600	250	1.5	1.5	2	D	2	750	550
1000	800	200	1.5	1.5	2	F	3	950	750
1000	800	250	1.5	1.5	2	F	3	950	750
1000	800	300	1.5	1.5	2	F	3	950	750
1200	800	200	1.5	1.5	2	F	3	1150	750
1200	800	250	1.5	1.5	2	F	3	1150	750
1200	800	300	1.5	1.5	2	F	3	1150	750



落地式机柜 FLOOR STANDING CABINET

产品概述 Product features

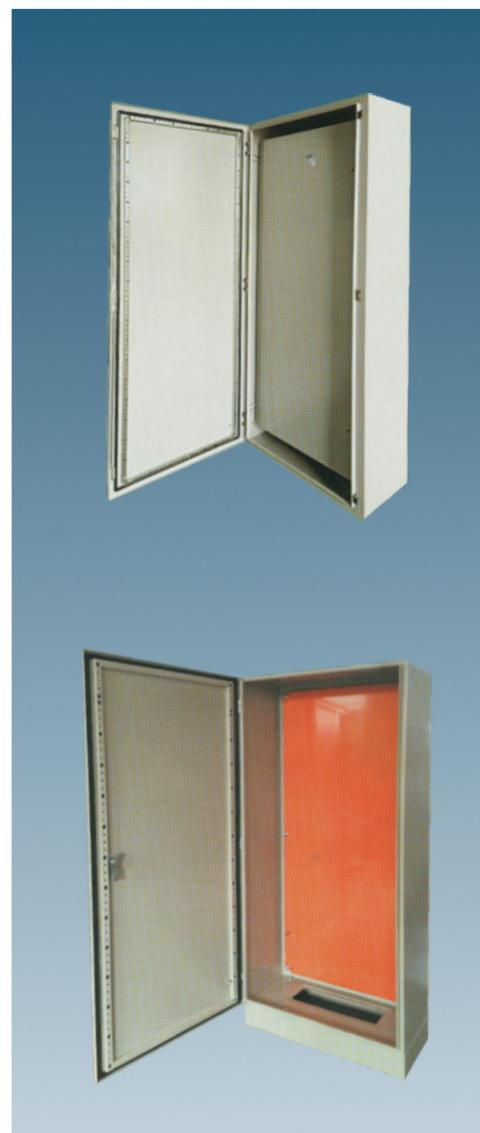
落地式机柜：是一款落地户内封闭式配电柜，箱体结构大小可以任意选择。焊接工艺采用全封闭氩弧焊接法，也可组装焊接，电器安装板可升降调整，进出电缆线由底部接入。箱底部配有100MM安装框架门板采用聚氨酯防水材料，通过加工设备直接涂粘在产品门内侧，同箱体结构能结合到相当完善的密封，使其防护等级达到IP55。内外部色彩喷涂用环保热固性粉末涂料，采用高温先进喷涂设备工艺加工，能够使产品在各类复杂的环境下不会生锈，表面涂料脱落。

有良好的抗氧化功能。标准色彩为：RAL7032，RAL7035也可根据用户订做各种色彩。产品材料采用冷轧钢板制作适用于工矿，企业，机器设备，各类建筑场所配电用也可根据用户订做各种色彩。产品材料采用冷轧钢板制作

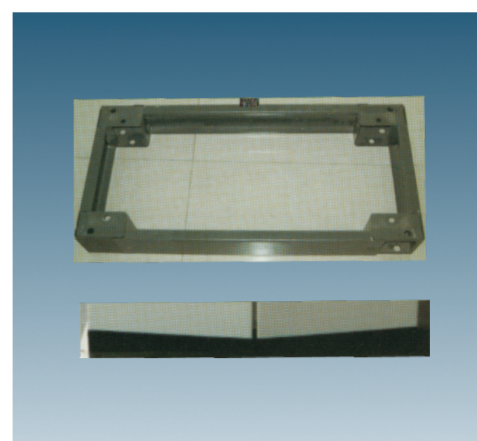
Floor standing cabinet body is made up of 1.5mm high quality cold, steeling rolling plate with hinges, front door is made up of 2mm sheet steel with 2 reinforcing frames ,mounting plate is made up of 2.5mm zinc coated steel , paint finish epoxy polyester powder coating textured finish . color have RAL7032 or RAL7035 . Protection degree:IP55. We can make different size and thickness and also can do the special design and manufacture according to the customer's requirements .

产品技术参数 Main technique parameter

H(mm)	W(mm)	D(mm)	E(mm)	F(mm)	G(mm)	I(mm)	L(mm)
1400	600	380	1380	580	20	497	1297
1500	600	380	1480	580	20	497	1397
1600	800	380	1580	780	20	697	1497
1800	800	580	1780	780	20	697	1697
1800	1000	580	1780	780	20	897	1697
2000	600	580	1980	580	20	497	1897
2000	1000	580	1980	980	20	897	1897
2000	1200	580	1980	1080	20	1097	1897



底部安装框架
Bottom support



落地式机柜 FLOOR STANDING CABINET

产品技术参数 Main technique parameter

产品尺寸(mm) Size			材料厚度(mm) Thickness			锁数量 Lock QTY
H	W	D	门 Door	体 Body	底 M.P	
1600	600	300	2	1.5	2	1
1600	400	400	2	1.5	2	1
1600	600	500	2	1.5	2	1
1600	600	600	2	1.5	2	1
1600	800	400	2	1.5	2	1
1600	800	500	2	1.5	2	1
1600	800	600	2	1.5	2	1
1800	600	300	2	1.5	2	1
1800	600	400	2	1.5	2	1
1800	800	400	2	1.5	2	1
1800	800	500	2	1.5	2	1
1800	800	600	2	1.5	2	1
2000	800	400	2	1.5	2	1
2000	800	500	2	1.5	2	1
2000	800	600	2	1.5	2	1
2200	800	400	2	1.5	2	1
2200	800	500	2	1.5	2	1
2200	800	600	2	1.5	2	1
1800	1000	400	2	1.5	2	1
1800	1000	600	2	1.5	2	1
2000	1000	400	2	1.5	2	1
2000	1000	600	2	1.5	2	1
2200	1000	500	2	1.5	2	1
2200	1000	600	2	1.5	2	1
2000	1200	500	2	1.5	2	1
2000	1200	600	2	1.5	2	1
2200	1200	500	2	1.5	2	1
2200	1200	600	2	1.5	2	1

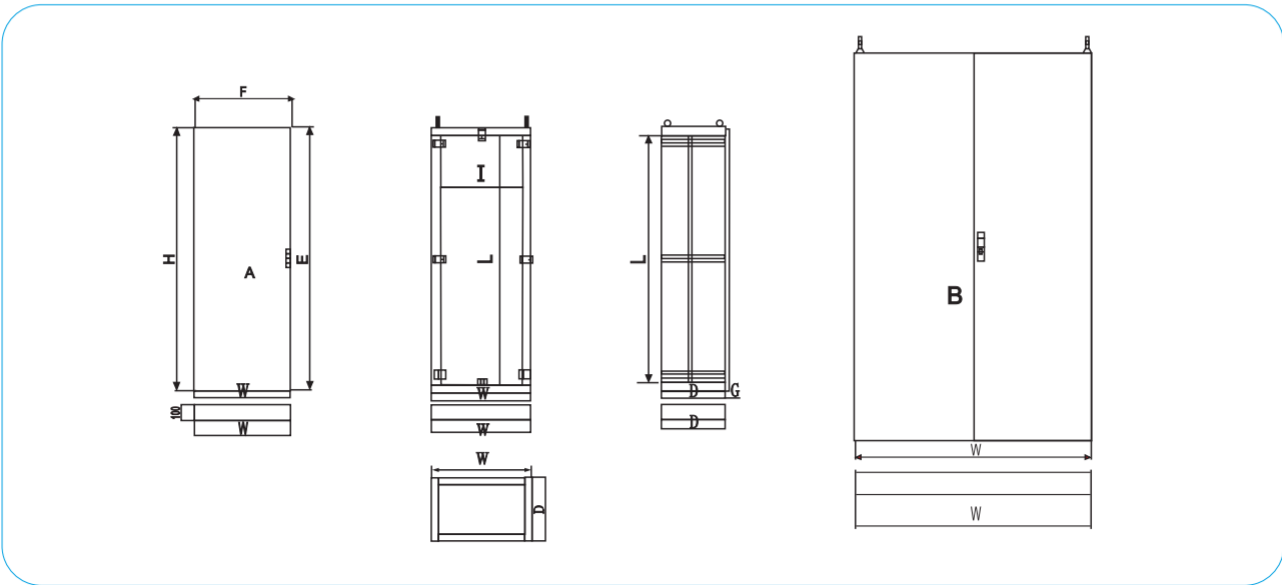
门板加强扎线架实物图
Stiffener on the door



门锁
Lock



柜顶吊环
Hooks





XI独立式控制柜系列
XI stand-alone control cabinet series

XI独立式控制柜系列

XI Independent control cabinet series



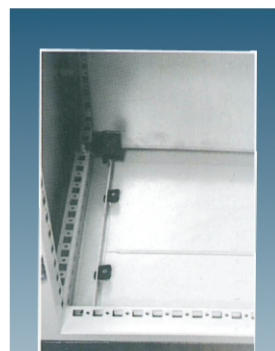
材料 Material	冷轧钢板 Cold rolled steel sheet
表面处理 Surface treatment	机柜磷化底涂处理,外部为粉末涂层,颜色可分RAL7032和RAL7035两种织纹,安装板则为镀锌 Etch primer for cabinet; powder coating for outside; RAL7032 or RAL7035 texture optional; galvanized mounting plate
防护等级 Protection grade	IP56(按GB4205-1993) IP56(acc.to GB4205-1993)
标准配置 Standard configuration	前门、背板、安装板、柜体、门锁、密封条 Front door, back plate, mounting plate, cabinet, door lock, sealing strip
钢板厚度 Plate thickness	框架: 五折型材1.5mm 门板: 2.0mm背板: 1.5mm 安装板: 2.5mm Frame: 5-fold sections 1.5mm Door plate: 2.0mm Back plate: 1.5mm Mounting plate: 2.5mm



五折结构框架
5-fold structural frame



加强方管与A3资料盒
Reinforcing square tube and A3 document box



三段活动进出线装置
Three-section flexible inlet/outlet line device

XI独立式控制柜系列

XI stand-alone control cabinet series

产品特点 Features of product

- 独立式电柜，不适宜并柜使用
- 门板离地很高，约25mm，确保开门灵顺畅
- 独特的五折型材整体焊接而成的主体框架不但确保柜体的高强度而且使柜体的防护等级达到IP55
- 特殊的门板方管加强系统可以用螺丝固定在门板上，便于拆卸
- 框架上密布的25mm间距模数孔确保安装的灵活性、通用性
- 镀锌安装板可以利用塑料滑块通过导轨从正面推入柜内，且两边有U型折边使安装板更牢固和更便于搬运
- Stand-alone electric cabinet, inapplicable for cabinet incorporation
- High door plate (approx 25mm from the ground) to ensure smooth door opening
- IP55 Unique main body frame integrally welded with 5-fold sections ensures high strength and IP55 of cabinet body
- Special door plate square tube reinforcing system can be fixed on door plate by screws for easy disassembly
- Modular holes with a spacing of 25mm on the frame ensures flexibility and universality of installation
- The mounting plate can be pushed into the cabinet by plastic slider through rail; U flanges on both sides allow firmer mounting plate and easier handling

XI系列订货规格表

XI series order specification table

*可定制非标产品
Nonstandard products are customizable

序号 No.	订货号 Order number	订货号 Order number	宽 Width	高 Height	深 Depth
1	XI601640002	XI601640005	600	1600	400
2	XI601650002	XI601650005	600	1600	500
3	XI601840002	XI601840005	600	1800	400
4	XI601850002	XI601850005	600	1800	500
5	XI602050002	XI602050005	600	2000	500
6	XI801650002	XI801650005	800	1600	500
7	XI801840002	XI801840005	800	1800	400
8	XI601850002	XI601850005	800	1800	500
9	XI802050002	XI802050005	800	2000	500
10	XI802060002	XI802060005	800	2000	600
11	XI101840002	XI101840005	1000	1800	400
12	XI121650002	XI121650005	1200	1600	500
13	XI121840002	XI121840005	1200	1800	400
14	XI122050002	XI122050005	1200	2000	500

*XI系列细节见图
*See for XI Series Detail Drawing

XI独立式控制柜系列

XI stand-alone control cabinet series

XI独立式控制柜系列

XI Independent control cabinet series



材料 Material	SUS304(其它材料型号可选) SUS304(other material types are optional)
表面处理 Surface treatment	拉丝, 安装板则为镀锌 Wire drawing, and mounting plate is galvanized
防护等级 Protection grade	IP55(按GB4205-1993) IP55(in the light of GB4205-1993)
标准配置 Standard configuration	前门、背板、安装板、柜体、门锁、密封条 Front door, back plate, mounting plate, cabinet, door lock, sealing strip
钢板厚度 Plate thickness	框架: 五折型材1.5mm 门板: 2.0mm 背板: 1.5mm 安装板: 2.5mm Frame: 5-fold sections 1.5mm Door plate: 2.0mm Back plate: 1.5mm Mounting plate: 2.5mm



不锈钢承重吊环
Stainless steel bearing suspension loop



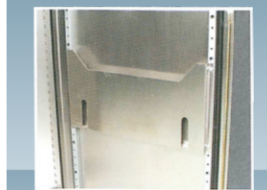
不锈钢平面锁
Stainless steel flat lock



密封条/高强度方管
Sealing strip/high strength square pipe



限位器
Stopper



不锈钢A3文件夹
Stainless steel A3 folder



挂耳纵梁
Longeron with suspension loop

XI独立式控制柜系列

XI stand-alone control cabinet series

产品特点 Features of product

- 独立式电柜，不适宜并柜使用
- 门板离地很高，约25mm，确保开门灵顺畅
- 独特的五折型材整体焊接而成的主体框架不但确保柜体的高强度而且使柜体的防护等级达到IP55
- 特殊的门板方管加强系统可以用螺丝固定在门板上，便于拆卸
- 框架上密布的25mm间距模数孔确保安装的灵活性、通用性
- 镀锌安装板可以利用塑料滑块通过导轨从正面推入柜内，且两边有U型折边使安装板更牢固和更便于搬运
- 专业的不锈钢岔道锁、不锈钢承重吊环以各种功能性的附件彰显柜体豪华品质

- Stand-alone electric cabinet, inapplicable for cabinet incorporation
- High door plate (approx 25mm from the ground) to ensure smooth door opening
- IP55 Unique main body frame integrally welded with 5-fold sections ensures high strength and IP55 of cabinet body
- Special door plate square tube reinforcing system can be fixed on door plate by screws for easy disassembly
- Modular holes with a spacing of 25mm on the frame ensures flexibility and universality of installation
- The mounting plate can be pushed into the cabinet by plastic slied through rail; U flanges on both sides allow firmer mounting plate and easier handing of the mounting plate.
Professional stainless steel trunoff lock, stainless steel bearing suspension loops and other accessories having various functions bring out luxury character of cabinet body.

XI系列订货规格表

XI series order specification table

*可定制非标产品
Nonstandard products are customizable

序号No..	订货号 Order number	宽 Width	高 Height	深 Depth
1	XI6016400304	600	1600	400
2	XI6016500304	600	1600	500
3	XI6018400304	600	1800	400
4	XI6018500304	600	1800	500
5	XI6020500304	600	2000	500
6	XI8016500304	800	1600	500
7	XI8018400304	800	1800	400
8	XI8018500304	800	1800	500
9	XI8020500304	800	2000	500
10	XI8020600304	800	2000	600
11	XI1018400304	1000	1800	400
12	XI1216500304	1200	1600	500
13	XI1218400304	1200	1800	400
14	XI1220500304	1200	2000	500

*XI系列细节见图

*See for BXI Series Detail Drawing

XI独立式控制柜系列

XI stand-alone control cabinet series

XI 系列尺寸规格表

XI series dimension table

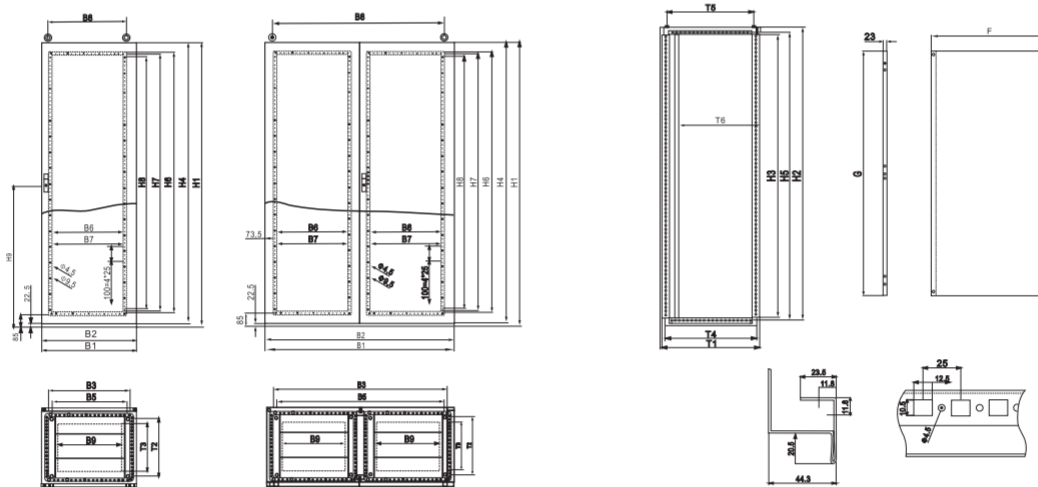
型号			宽度									高度									深度						安装版	
宽	高	深	B1	B2	B3	B5	B6	B7	B8	B9	H1	H2	H3	H5	H6	H7	H8	H9	T1	T2	T3	T4	T5	T6	F	G		
600	1600	400	600	592	510	470	454	474	535	400	1600	1575	1512	1535	1450	1430	1400	795	400	265	200	350	325	349	498	1498		
600	1600	500	600	592	510	470	453	474	535	400	1600	1575	1512	1535	1450	1430	1400	795	500	365	300	450	425	449	498	1496		
600	1800	400	600	592	510	470	453	474	535	400	1800	1775	1712	1735	1650	1630	1600	895	400	265	200	350	325	349	498	1696		
600	1800	500	600	592	510	470	453	474	535	400	1800	1775	1712	1735	1650	1630	1600	895	500	365	300	450	425	449	498	1696		
600	2000	500	600	592	510	470	453	474	535	400	2000	1975	1912	1935	1850	1830	1800	995	500	365	300	450	425	449	498	1896		
800	1800	500	800	792	710	670	653	674	735	600	1600	1575	1512	1535	1450	1430	1400	795	500	365	300	450	425	449	698	1496		
800	1800	400	800	792	710	670	653	674	735	600	1800	1775	1712	1735	1650	1630	1600	895	400	265	200	350	325	349	698	1696		
800	1800	500	800	792	710	670	653	674	735	600	1800	1775	1712	1735	1650	1630	1600	895	500	365	300	450	425	449	698	1696		
800	2000	500	800	792	710	670	653	674	735	600	2000	1975	1912	1935	1850	1830	1800	995	500	365	300	450	425	449	698	1896		
800	2000	600	800	792	710	670	653	674	735	600	2000	1975	1912	1935	1850	1830	1800	995	600	465	400	550	525	549	698	1896		
1000	1800	400	1000	992	910	870	853	874	935	800	1800	1775	1712	1735	1650	1630	1600	895	400	265	200	350	325	349	898	1696		
1200	1600	500	1200	593.3*2	1110	1070	454*2	474*2	1135	1000	1600	1575	1512	1535	1450	1430	1400	795	500	365	300	450	425	449	1098	1496		
1200	1800	400	1200	593.3*2	1110	1070	454*2	474*2	1135	1000	1800	1775	1712	1735	1650	1630	1600	895	400	265	200	350	325	349	1098	1696		
1200	2000	500	1200	593.3*2	1110	1070	454*2	474*2	1135	1000	2000	1975	1912	1935	1850	1830	1800	995	500	365	300	450	425	449	1098	1896		

XI 系列细节图

XI Series Detail Drawing

*B1:宽度≥1200时, 底部进线板结构分为左右2部分。

*B1:≥1200 width,the bottom wiring insert plate structure is divided into left and right 2 parts.



- B1: 总宽度
- B2: 门的宽度
- B3: 箱体框架内档宽度
- B5: 底板与地面固定物横向连接孔。
- B7: 门板后部方管加起筋左右侧内档距离
- B8: 两个吊环之间的横向距离
- B9: 箱底开缝宽度
- T1: 总深度
- B1: Total width
- B2: Door width
- B3: Net width of the cabiner inner frame
- B5: The ground floor and lateral connections fixture holes.
- B6: The left and right interior distance of the square tube reinforcing rib in the back of door plate
- B7: The left and right center distance of the square tube reinforcing rib in the back of door plate
- B8: The lateral distance between the two rings
- B9: Cabinet bottom slit width
- T1: Total depth

- T2: 底板与地面固定物前后连接孔。
- T3: 箱底开缝的深度
- T4: 底框深度
- T5: 两个吊环之间前后距离
- T6: 安装板深度, 从149mm开始以每格25mm的距离进行调节
- H1: 总高度
- H2: 门和后背板的高度
- T2: The front and back connection holes for the fixation of the Bottom plate and ground
- T3: Depth of the slit in the cabiner bottom
- T4: Depth of the bottom frame
- T5: The distance between the center of the two rings
- T6: Mounting plate depth,the adjustment is from the beginning of the 149mm in per 25mm distance.
- H1: Total height
- H2: The height of the door and back plate

- H3: 柜体框架内的净高度
- H5: 框架上下横向梁之间的高度
- H6: 门板后部方管加强筋上下侧中心距离
- H7: 门板后部方管加强筋上下侧内档距离
- H8: 门框上下两个螺栓之间的距离(固定方管)
- H9: 门底到门锁中心点的距离
- F: 安装板的总宽度
- G: 安装板的总高度
- H3: The net height in frame of the cabinet bottom
- H5: The height of the upper and lower landscape
- H6: The left and right center distance of the square tube reinforcing rib in the back of door plate.
- H7: The left and right interior distance of the square tube reinforcing rib in the back of door plate
- H8: Upper and lower distance (fixed RHS)bolts between the two frames
- H9: Distance between the center of the bottom of the door to door
- F: Mounting plate width
- G: Mounting plate height

组合柜系列 Combined cabinet series

组合柜系列 combined cabinet series



材料 Material	冷轧钢板 Cold-roll steel sheet
表面处理 Surface treatment	机柜磷化底涂处理，外部为粉末涂层，颜色可分RAL7032和RAL7035两种织纹，安装板则为镀锌 Cabinet is applied with etch primer and covered with powder coating on the outer side. Two color textures, RAL7032 and RAL7035, are available. The mounting plate is galvanized.
防护等级 Protection grade	IP54(按GB4205-1993) IP55(in accordance with GB4205-1993)
标准配置 Standard configuration	前门、背板、安装板、柜体、密封条、门锁、侧板(可选)Frontdoor, back plate, mounting plate, cabinet body, sealing strip, door lock and side plate (optional)
钢板厚度 Plate thickness	框架：九折型材1.5mm 门板：2.0mm 背板、侧板：1.5mm 安装板：2.5mm Frame: nine-fold section 1.5mm Door plate: 2.0mm Back plate and side plate: 1.5mm Mounting plate: 2.5mm



A3文件夹/限位器
A3 folder/stopper



方管角塞
Corner of square



九折型材框架
Nine broken proximate matter framework

产品特点 Features of product

- 组合式电柜, 适宜并柜使用
- 顶板可以移去, 侧板可以拆卸, 更易于工作的便捷性
- 门板离地很高, 约25mm, 确保开门灵活顺畅
- 独特的九折型材整体焊接而成的主体框架不但确保柜体的高强度而且使柜体的防护等级达到IP54
- 特殊的门板方管加强系统可以用螺丝固定在门板上, 便于拆卸
- 框架上密布的25mm 间距模数孔确保安装的灵活性、通用性
- 镀锌安装板可以利用塑料滑块通过导轨从正面推入柜内, 且两边有U型折边使安装板更牢固和更便于搬运

- Combined electric cabinet, suitable for combination
- The top plate is removable and the side plate is demountable, making work easier and simpler
- Ground clearance of door plate is sufficient, about 25mm, ensuring flexibility and smoothness of door opening.
IP54 The main body frame specially made of nine-fold section by means of whole welding not only ensures high strength of cabinet body but also lets the protection grade of cabinet body reach IP54. Special door plate square pipe reinforcement system can be fixed on the door plate with screws, easy for dismantlement.
Module holes densely distributed 25mm spacing on the frame guarantee the flexibility and universality of installation
The mounting plate can be pushed into the cabinet from the front through guide rail by making use of plastic sliders. U-shape folded edges at the two sides facilitate fastening and handling of the mounting plate.

系列订货规格表

Series order specification table

*可定制非
Nonstandard products are customizable

序号 No.	订货号 Order number	订货号 Order number	宽Width	高 Height	深 Depth	侧板订货号(RAL7032)	侧板订货号 (RAL7032)
1	601840002	601840005	600	1800	400	1840002	1840005
2	601850002	601850005	600	1800	500	1850002	1850005
3	601860002	601860005	600	1800	600	1860002	1860005
4	602040002	602040005	600	2000	400	2040002	2040005
5	602050002	602050005	600	2000	500	2050002	2050005
6	602060002	602060005	600	2000	600	2060002	2060005
7	602080002	602080005	600	2000	800	2080002	2080005
8	602260002	602260005	600	2200	600	2260002	2260005
9	801840002	801840005	800	1800	400	1840002	1840005
10	801850002	801850005	800	1800	500	1850002	1850005
11	801860002	801860005	800	1800	600	1860002	1860005
12	802040002	802040005	800	2000	400	2040002	2040005
13	802050002	802050005	800	2000	500	2050002	2050005
14	802060002	802060005	800	2000	600	2060002	2060005
15	802080002	802080005	800	2000	800	2080002	2080005
16	802260002	802260005	800	2200	600	2260002	2260005
17	101840002	101840005	1000	1800	400	1840002	1840005
18	121840002	121840005	1200	1800	400	1840002	1840005
19	121850002	121850005	1200	1800	500	1850002	1850005
20	121860002	121860005	1200	1800	600	1860002	1860005
21	122040002	122040005	1200	2000	400	2040002	2040005
22	122050002	122050005	1200	2000	500	2050002	2050005
23	122060002	122060005	1200	2000	600	2060002	2060005
24	122080002	122080005	1200	2000	800	2080002	2080005
25	122060002	122060005	1200	2200	600	2260002	2260005
26	102050002	102050005	1000	2000	500	2050002	2050005
27	102060002	102060005	1000	2000	600	2060002	2060005

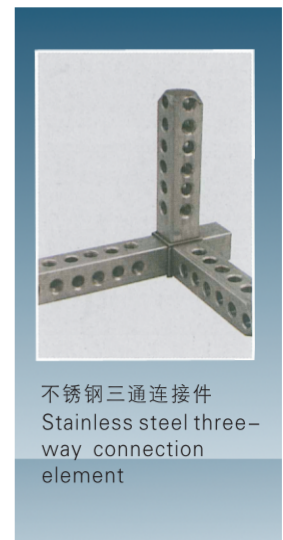
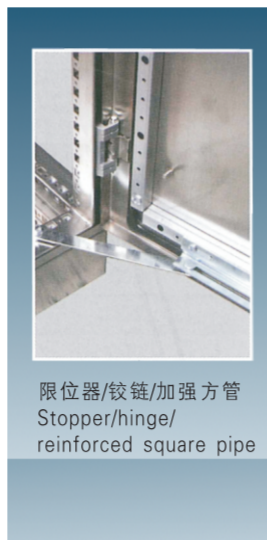
*KP 系列细节见图 “See for KP Series Detail Drawing”

不锈钢组合柜系列

Stainless steel combined cabinet series



材料 Material	SUS304(其它材料型号可选) SUS304(other material types are optional)
表面处理 Surface treatment	拉丝, 安装板则为镀锌 Wire drawing, and mounting plate is galvanized
防护等级 Protection grade	IP54(按GB4205-1993) IP54(in accordance with GB4205-1993)
标准配置 Standard configuration	前门、背板、安装板、柜体、密封条、门锁、侧板(可选件) Front door, back plate, mounting plate, cabinet body, sealing strip, door lock and side plate(optional)
钢板厚度 Plate thickness	框架: 五折型材1.5mm 门板: 2.0mm 背板、侧板: 1.5mm 安装板: 2.5mm Frame: nine-fold sections 1.5mm Door plate: 2.0mm Back plate and side plate: 1.5mm Mounting plate: 2.5mm



不锈钢组合柜系列

Stainless steel combined cabinet series

产品特点 Features of product

- 组合式电柜, 适宜并柜使用
- 顶板可以移去, 侧板可以脱卸, 更易于工作的便捷性
- 门板离地很高, 约25mm, 确保开门灵活顺畅
- 独特的九折型材配合高强度的不锈钢三通连接件焊接而成的主体框架确保柜体的高强度
- 特殊的门板方管加强系统可以用螺丝固定在门板上, 便于拆卸框架上密布的25mm间距模数孔确保安装的灵活性、通用性
- 镀锌安装板可以利用塑料滑块通过导轨从正面推入柜内, 且两边有U型折边使安装板更牢固和更便于搬运
- 专业的不锈钢岔道锁、不锈钢承重吊环以及各种功能性的附件彰显柜体豪华品质
- Combined electric cabinet, suitable for combination
- The top plate is removable and the side plate is demountable, making work easier and simpler
- Ground clearance of door plate is sufficient, about 25mm, ensuring flexibility and smoothness of door opening.
- The main body frame specially made of nine-fold section and high-strength stainless steel three-way connection elements through welding ensures high strength of cabinet body.
- Special door plate square pipe reinforcement system can be fixed on the door plate with screws, easy for dismantlement.
- Module holes densely distributed at 25mm spacing on the guarantee the flexibility and universality of installation
- The mounting plate can be pushed into the cabinet from the through guide rail by making use of plastic sliders. U-shape edges at the two sides facilitate fastening and handing mounting plate.
- Professional stainless steel turnofflock, stainless steel bearing suspension loops and other accessories of various functions bring out luxury character of cabinet body.

系列订货规格表

Series order specification table

序号 No.	订货号 Order number	宽Width	高Height	深Depth	侧板订货号
1	6018400304	600	1800	4000	18400304
2	6018500304	600	1800	500	18500304
3	6018600304	600	1800	600	18600304
4	6020400304	600	2000	400	20400304
5	6020500304	600	2000	500	20500304
6	6020600304	600	2000	600	20600304
7	6020800304	600	2000	800	20800304
8	6022600304	600	2200	600	22600304
9	8018400304	800	1800	400	18400304
10	8018500304	800	1800	500	18500304
11	8018600304	800	1800	600	18600304
12	6020400304	800	2000	400	20400304
13	8020500304	800	2000	500	20500304
14	8020600304	800	2000	600	20600304
15	8020800304	800	2000	800	20800304
16	8022600304	800	2200	600	22600304
17	1018400304	1000	1800	400	18400304
18	1218400304	1200	1800	400	18400304
19	1218500304	1200	1800	500	18500304
20	1218600304	1200	1800	600	18600304
21	1220400304	1200	2000	400	20400304
22	1220500304	1200	2000	500	20500304
23	1220600304	1200	2000	600	20600304
24	1220800304	1200	2000	800	20800304
25	1222600304	1200	2200	600	22600304
26	1020500304	1000	2000	500	20500304
27	1020600304	1000	2000	600	20600304

不锈钢组合柜系列

Stainless steel combined cabinet series

系列尺寸规格表

Series dimension table

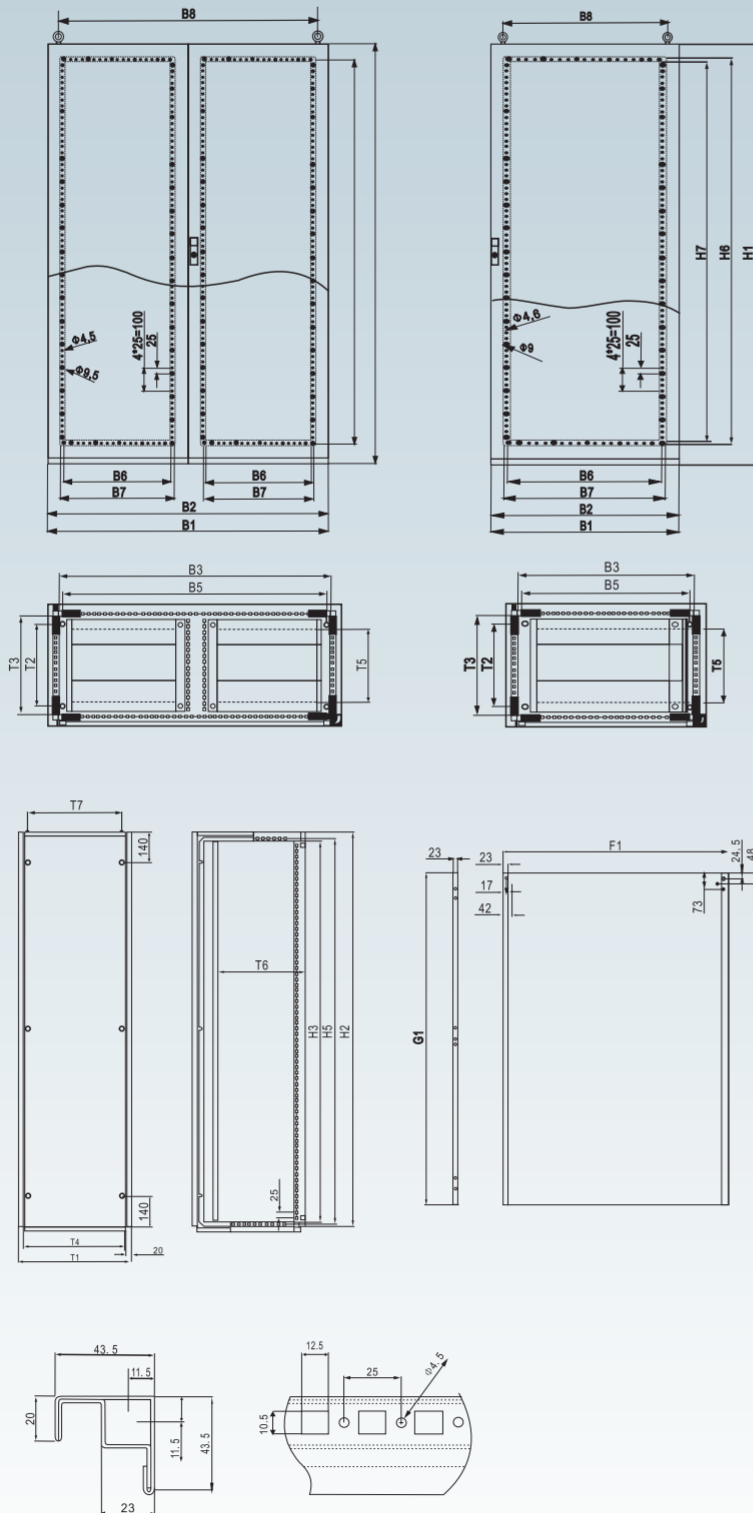
规格尺寸 Dimension			宽度 Width							高度 Height							深度 Depth							安装板 Mounting plate	
宽 Width	高 Height	深 Depth	B1	B2	B3	B5	B6	B7	B8	B9	H1	H2	H3	H5	H6	H7	T1	T2	T3	T4	T5	T6	T7	F	G
600	1800	400	599	592	512	478	454	474	535	400	1800	1775	1712	1735	1650	1630	400	235	302	350	200	349	325	498	1696
600	1800	500	599	592	512	478	454	474	535	400	1800	1775	1712	1735	1650	1630	500	335	402	450	300	449	425	498	1696
600	1800	600	599	592	512	478	454	474	535	400	1800	1775	1712	1735	1650	1630	600	435	502	550	400	549	525	498	1696
600	2000	400	599	592	512	478	454	474	535	400	2000	1975	1912	1935	1850	1830	400	235	302	350	200	349	325	498	1896
600	2000	500	599	592	512	478	454	474	535	400	2000	1975	1912	1935	1850	1830	500	335	402	450	300	449	425	498	1896
600	2000	600	599	592	512	478	454	474	535	400	2000	1975	1912	1935	1850	1830	600	435	502	550	400	549	525	498	1896
600	2000	800	599	592	512	478	454	474	535	400	2000	1975	1912	1935	1850	1830	800	635	702	750	600	749	725	498	1896
600	2200	600	599	592	512	478	454	474	535	400	2200	2175	2112	2135	2050	2030	600	435	502	550	400	549	525	498	2096
800	1800	400	799	792	712	678	654	674	735	600	1800	1775	1712	1735	1650	1630	400	235	302	350	200	349	325	698	1696
800	1800	500	799	792	712	678	654	674	735	600	1800	1775	1712	1735	1650	1630	500	335	402	450	300	449	425	698	1696
800	1800	600	799	792	712	678	654	674	735	600	1800	1775	1712	1735	1650	1630	600	435	502	550	400	549	525	698	1696
800	2000	400	799	792	712	678	654	674	735	600	2000	1975	1912	1935	1850	1830	400	235	302	350	200	349	325	698	1896
800	2000	500	799	792	712	678	654	674	735	600	2000	1975	1912	1935	1850	1830	500	335	402	450	300	449	425	698	1896
800	2000	600	799	792	712	678	654	674	735	600	2000	1975	1912	1935	1850	1830	600	435	502	550	400	549	525	698	1896
800	2000	800	799	792	712	678	654	674	735	600	2000	1975	1912	1935	1850	1830	800	635	702	750	600	749	725	698	1896
800	2200	600	799	792	712	678	654	674	735	600	2200	2175	2112	2135	2050	2030	600	435	502	550	400	549	525	698	2096
1000	1800	400	999	992	912	878	854	874	935	800	1800	1775	1712	1735	1650	1630	400	235	302	350	200	349	325	898	1696
1200	1800	400	1199	592	1112	1078	454*2	474*2	1135	1000	1800	1775	1712	1735	1650	1630	400	235	302	350	200	349	325	1098	1696
1200	1800	500	1199	592	1112	1078	454*2	474*2	1135	1000	1800	1775	1712	1735	1650	1630	500	335	402	450	300	449	425	1098	1696
1200	1800	600	1199	592	1112	1078	454*2	474*2	1135	1000	1800	1775	1712	1735	1650	1630	600	435	502	550	400	549	525	1098	1696
1200	2000	400	1199	592	1112	1078	454*2	474*2	1135	1000	2000	1975	1912	1935	1850	1830	400	235	302	350	200	349	325	1098	1896
1200	2000	500	1199	592	1112	1078	454*2	474*2	1135	1000	2000	1975	1912	1935	1850	1830	500	335	402	450	300	449	425	1098	1896
1200	2000	600	1199	592	1112	1078	454*2	474*2	1135	1000	2000	1975	1912	1935	1850	1830	600	435	502	550	400	549	525	1098	1896
1200	2000	800	1199	592	1112	1078	454*2	474*2	1135	1000	2000	1975	1912	1935	1850	1830	800	635	702	750	600	749	725	1098	1896
1200	2200	600	1199	592	1112	1078	454*2	474*2	1135	1000	2200	2175	2112	2135	2050	2030	600	435	502	550	400	549	525	1098	2096
1000	2000	500	999	492	912	878	854	874	935	800	2000	1975	1912	1935	1850	1830	500	335	402	450	300	449	425	898	1896
1000	2000	600	999	492	912	878	854	874	935	800	2000	1975	1912	1935	1850	1830	600	435	502	550	400	549	525	898	1896

不锈钢组合柜系列

Stainless steel combined cabinet series

系列细节图

Series detail drawing



- B1:总宽度
(不启侧板, 框架外围尺寸)
- B2:门的宽度
- B3:箱体框架内的净宽度
- B5:箱体下纵梁与底板对应孔
(无底座, 此孔与地面相连接)
- B6:门板后部方管加强筋左右侧内档距离
- B7:门板后部方管加强筋左右侧中心距离
- B8:两个吊环之间的距离
- B9:箱底开缝宽度
- T1:总深度
- T2:底板与地面固定物前后连接孔。
- T3:底框内的净深度
- T4:底框深度
- T5:箱底开缝的深度
- T6:安装板深度, 从149mm开始以每格25mm的距离进行调节
- T7: 两个吊环中心点之间的距离
- H1:总高度
- H2:门和后背板的高度
- H3:箱底框架内的净高度
- H5:框架上下横向型材梁之间的高度
- H6:门板后部方管加强筋上下侧中心距离
- H7:门板后部方管加强筋上下侧内档距离
- F:安装板的总宽度
- G:安装板的总高度
- B1:Total width(Excluding the lateral plate, the outer frame size)
- B2:Door width
- B3:Net width of the cabinet inner frame
- B5:Corresponding hole of longitudinal beam beneath cabinet and bottom plate(Without base,this hole connected to the ground)
- B6:The left and right interior distance of the square tube reinforcing rib installation in the back of door plate
- B7:The left and right center distance of the square tube reinforcing rib in the back of door plate
- B8:The distance between the two rings
- B9:Cabinet bottom slit width
- T1: Total depth
- T2:The front and back connection holes for the fixation of the Bottom plate and ground
- T3: Net depth in the bottom frame
- T4: Depth of the bottom frame
- T5: Depth of the slit in the cabinet bottom
- T6: Mounting plate depth, the adjustment is from the beginning of the 149mm in per 25 mm distance.
- T7:The distance between the center of the two rings
- H1:Total height
- H2:The height of the door and back plate
- H3:The net height in the frame of the cabinet bottom
- H5:The height of the upper and lower landscape Shaped beam of the frame
- H6: The left and right center distance of the square tube reinforcing rib in the back of door plate
- H7: The left and right interior distance of the square tube reinforcing rib in the back of door plate
- F: Mounting plate width
- G:Mounting plate height

* B1:宽度≥1200时, 底部进线板结构分左右2部分。

* B1:≥1200width, the bottom line board structure at around 2 parts.

XI-A小型断路器分位箱 XI-A METAL DISTRIBUTION BOX

产品概述 Product features

小型断路器分位箱：采用焊接生产工艺。是一种只安装小型轨道式断路器定向类配电箱，具有漏电过载，短路保护功能箱内部结构为轨道式安装支架，可根据开关适当调整高度内门开孔尺寸根据开关回路开孔适用于工矿，各种建筑场所照明，配电之用。

采用表面喷塑处理，标准色彩为：RAL7032，RAL7035也可根据用户订做各种色彩。产品材料采用冷轧钢板制作。

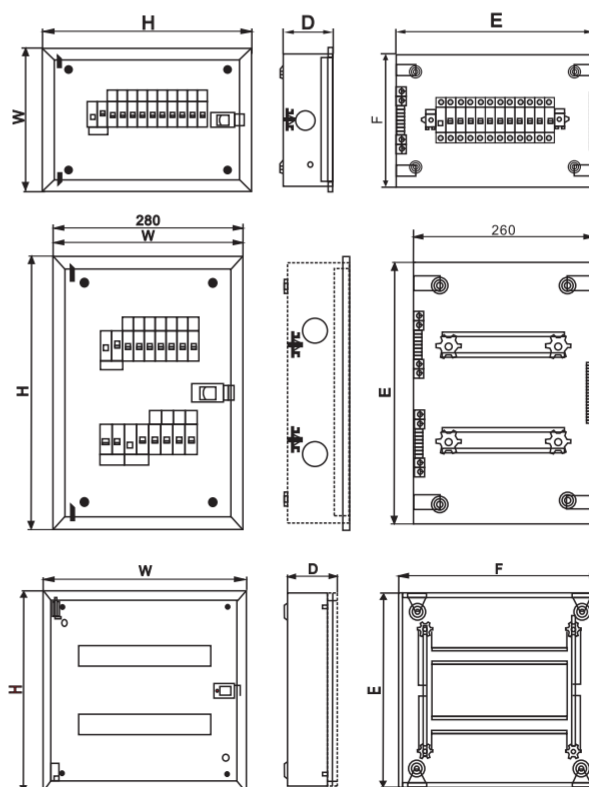
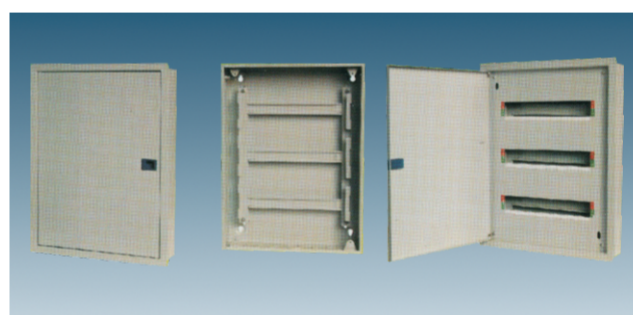
XI type metal distribution box paint finish epoxy polyester powder coating textured finish .color have RAL7032 ,RAL7035 .this type inside is install mini circuit breaker and the bracket is adjustable .the material is cold rolled steel . We can make different size and thickness and also can do the special design and manufacture according to the customer's requirements .

产品技术参数 Main technique parameter

Surface model/2 Row	H	W	D	E	F
4+2WAY	400	245	90	380	225
6+2WAY	400	280	90	380	260
6+4WAY	400	280	90	380	260
8+4WAY	400	315	90	380	295
8+6WAY	400	315	90	380	295
10+6WAY	400	350	90	380	330
10+8WAY	400	350	90	380	300

Surface model	H	W	D	E	F
1×16WAY	280	450	110	270	440
2×16WAY	430	450	110	420	440
3×16WAY	580	450	110	570	440
4×16WAY	730	450	110	720	440
5×16WAY	880	450	110	870	440
6×16WAY	1030	450	100	1020	440

Flush model	H	W	D	E	F
1×16WAY	290	460	110	270	440
2×16WAY	440	460	110	420	440
3×16WAY	590	460	110	570	440
4×16WAY	740	460	110	720	440
5×16WAY	890	460	110	870	440
6×16WAY	1040	460	100	1020	440



XI-B小型断路器分位箱 XI-B METAL DISTRIBUTION BOX

产品概述 Product features

小型断路器分位箱：采用焊接生产工艺。是一种只安装小型轨道式断路器定向类配电箱，具有漏电过载，短路保护功能箱内部结构为轨道式安装支架，可根据开关适当调整高度内门开孔尺寸根据开关回路开孔适用于工矿，各种建筑场所照明，配电之用。

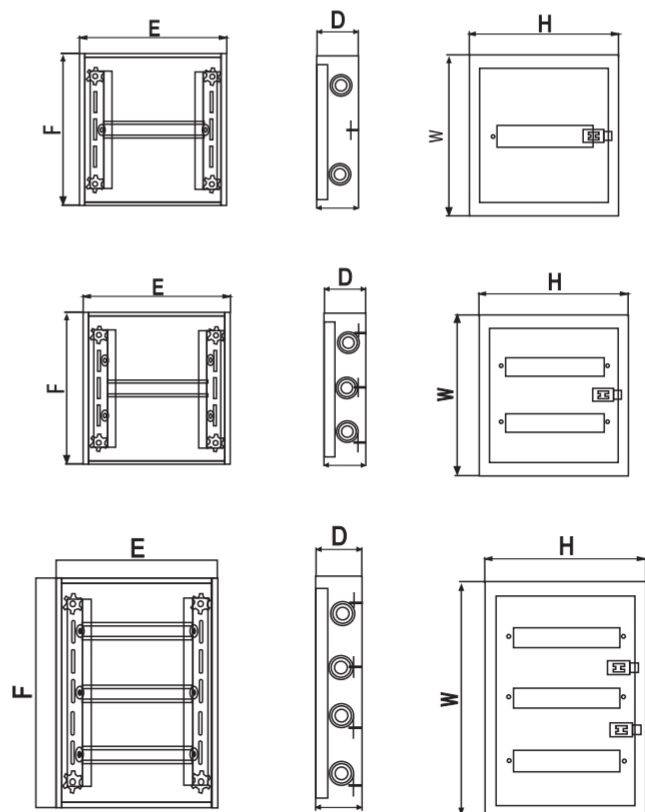
采用表面喷塑处理，标准色彩为：RAL7032，RAL7035也可根据用户订做各种色彩。产品材料采用冷轧钢板制作。

XI type metal distribution box paint finish epoxy polyester powder coating textured finish .color have RAL7032 ,RAL7035 .this type inside is install mini circuit breaker and the bracket is adjustable .the material is cold rolled steel . We can make different size and thickness and also can do the special design and manufacture according to the customer's requirements .

产品技术参数 Main technique parameter

Model Dimension		Surface Type			
Model	H	W	D	E	F
1×4WAY	192	208	90	182	198
1×6WAY	228	208	90	218	198
1×8WAY	264	208	90	254	198
1×10WAY	300	208	90	290	198
1×12WAY	336	208	90	326	198
2×9WAY	282	308	90	272	298
2×12WAY	336	354	90	326	344
3×12WAY	336	479	90	326	469
4×12WAY	336	604	90	326	594

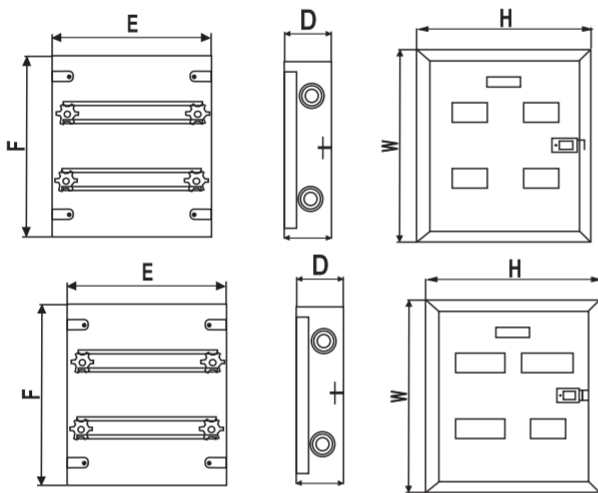
Model Dimension		Surface Type			
Model	H	W	D	E	F
1×4WAY	205	216	90	165	174
1×6WAY	236	216	90	195	174
1×8WAY	272	216	90	231	174
1×10WAY	308	216	90	257	174
1×12WAY	344	216	90	303	174
2×9WAY	290	316	90	250	274
2×12WAY	344	366	90	306	324
3×12WAY	344	441	90	306	498
4×12WAY	344	566	90	306	623



XI-C小型断路器分位箱 XI-C METAL DISTRIBUTION BOX

产品技术参数 Main technique parameter

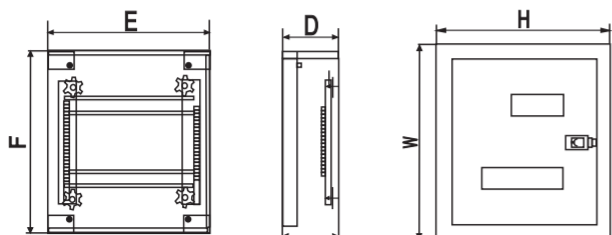
Model	Model Dimension			Surface Type	
	H	W	D	E	F
12WAY(4×3)	365	408	92	335	380
18WAY(6×3)	365	408	92	335	380



XI-D小型断路器分位箱 XI-D METAL DISTRIBUTION BOX

产品技术参数 Main technique parameter

Model	Model Dimension			Surface Type	
	H	W	D	E	F
12WAY(4×3)	398	352	112	370	330
18WAY(6×3)	398	352	112	370	330
27WAY(6×3)	548	352	112	523	330
36WAY(6×3)	548	406	112	523	384



配电箱锁

Enclosure 's LOCK

XI-1型锁材料采用塑料加锌合金，分为黑色米色二款
 XI-2型锁材料采用增强尼龙加锌合金
 XI-3型锁材料采用锌合金
 XI-4型锁材料采用锌合金

XI-1 model material is plastic and Zinc alloy
 XI-2 model material is reinforced nylon and zinc alloy
 XI-3 model material is zinc alloy
 XI-4 model material is zinc alloy and color is RAL7032



XI-5型锁材料采用不锈钢，锌合金
 XI-5 model material is stainless steel

XI-6型锁材料采用锌合金，钢板
 XI_6 model material is zinc alloy



配电箱附件

门板拉手

门板拉手采用不锈钢材料，方便用户开启箱门

Enclosure 's Accessories

Door handle

Material is stainless steel



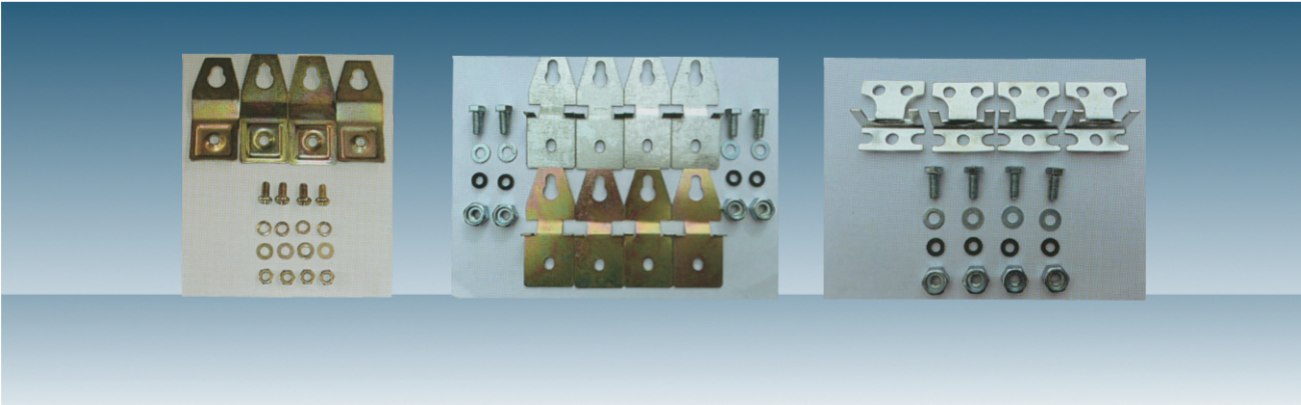
配电箱附件
ACCESSORIES

墙体安装支架

材料采用1.2-2.0MM冷轧钢板或不锈钢制作
表面彩色镀锌或镀白锌处理，有良好防腐性

HOOKS

Thickness is from 1.2mm to 2.0mm .
Material is steel sheet or stainless steel



配电箱附件
箱门连接件

材料采用2.0MM冷轧钢板或不锈钢
制作，固定螺丝配置防高温密封圈

Enclousre 's Accessories
Hinges

Material is 2.0mm thickness sheet steel or stainless steel
And be with rubber seal



箱体安装螺丝

材料采用中碳钢制作，固定螺丝密封槽加工
配防高温密封圈使用，使产品能达到良好的密封性能

Mounting plate Screws

Material is medium carbon steel and
Be with rubber seal



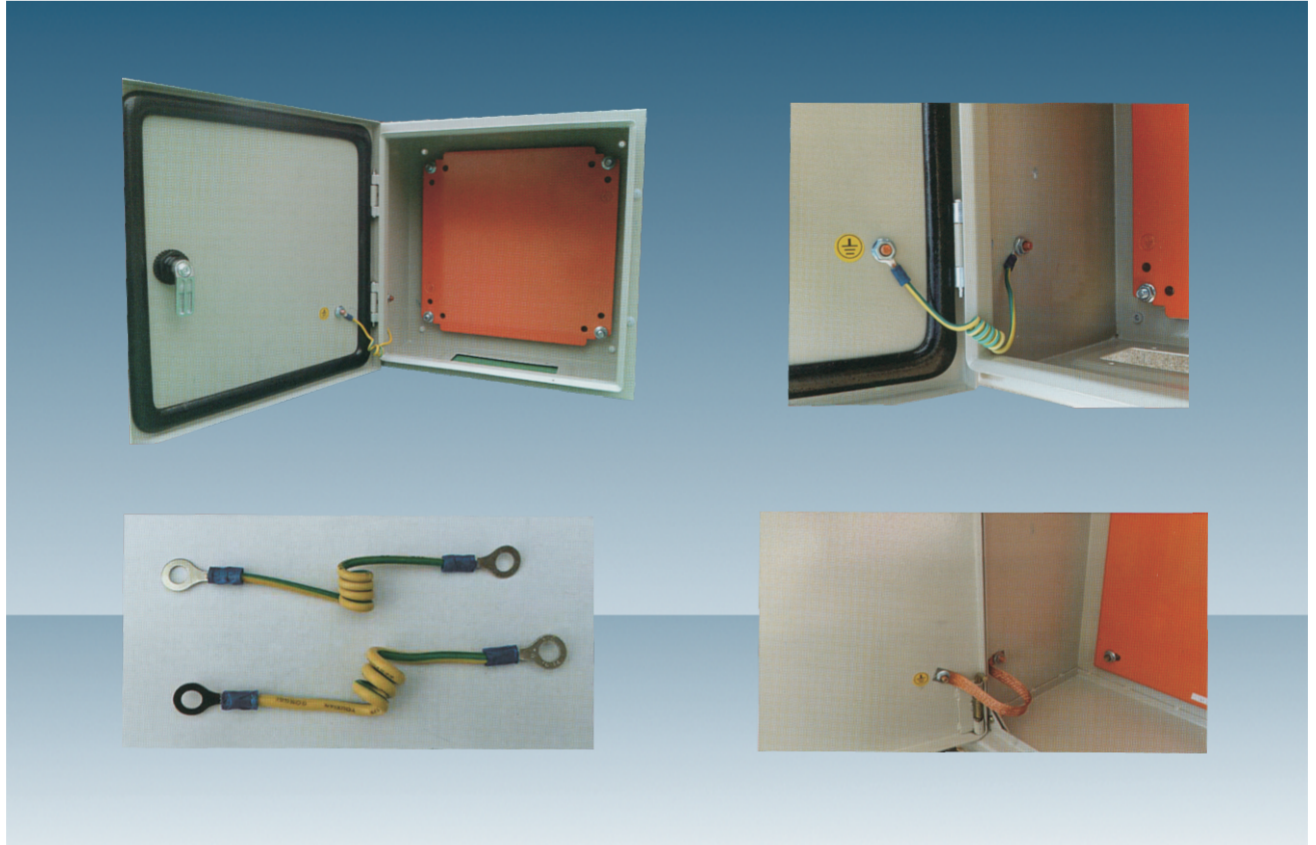
配电箱附件 ACCESSORIES

接地线

接地线采用1.5平方 2.5平方双色铜心BV线，对产品起接地保护作用。也采用铜编织线

Earth wire

Material is copper wire



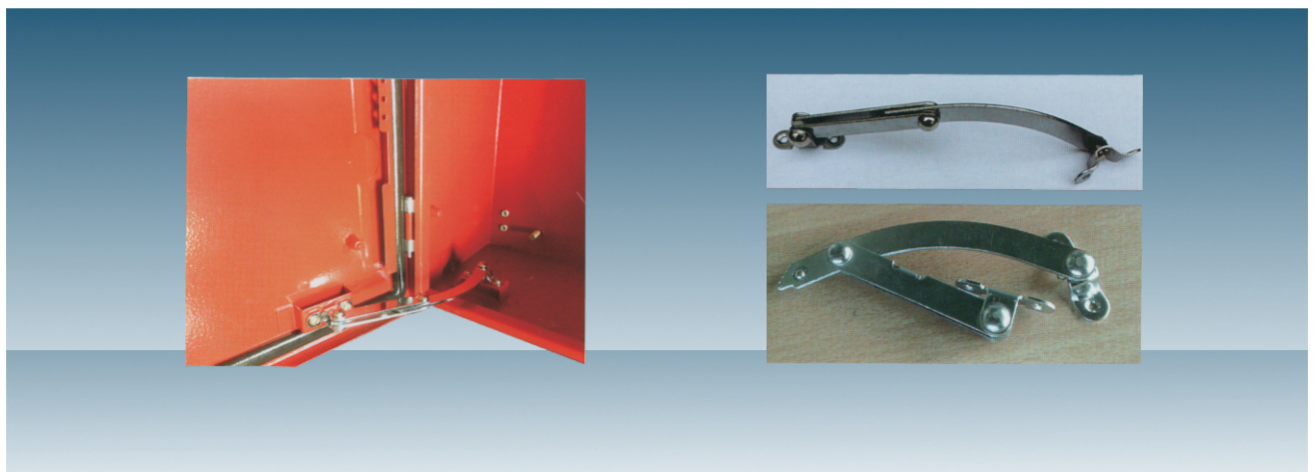
箱门限位器

限位器采用加强钢板制作成形，表面镀铬处理起支撑门板用，防止使用过程中保护产品不受损坏方便用户开启箱门安装或维修电器元件

Door stay

Material is galvanized sheet steel

Hold the door at 90° to avoid accidental closing .



配电箱附件

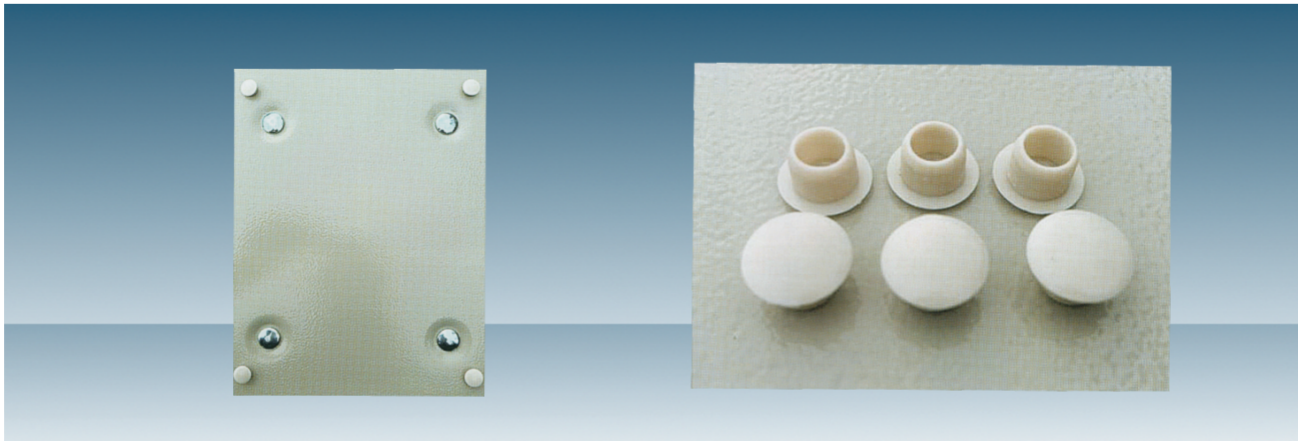
产品防水塑料盖

材料采用增强尼龙注塑成形，耐高温，提高产品等级防护用

Waterproof cover

Material is nylon

And thermostability



箱体进出线孔密封附件

材料采用高强锌泡海绵，吸水防水性强
配防水塑料垫，安装螺丝，外封钢板使用
提高产品防护等级

Rubber seal

Material is high strength zinc foam sponge
absorbing water proofing property is strong
Be with fixed screws and bottom plate



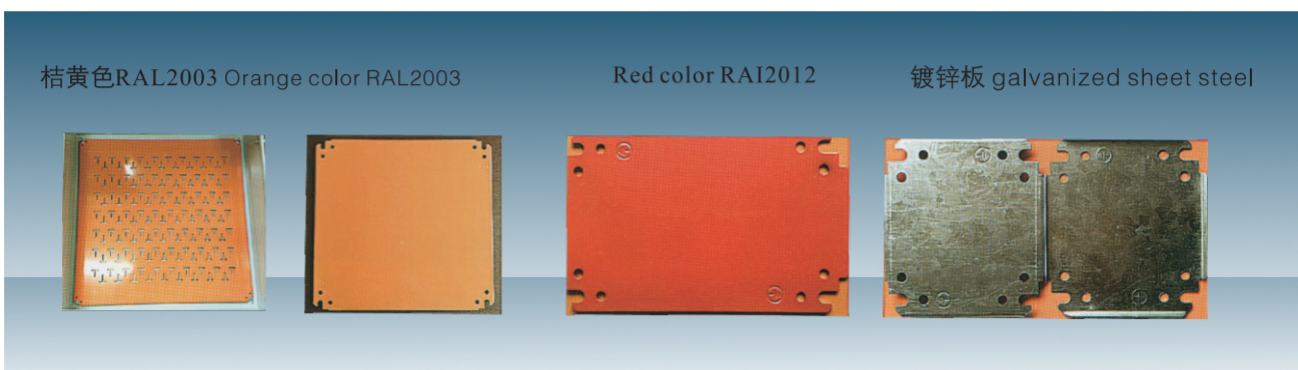
配电箱附件

电器安装板

材料为2.0MM冷轧钢板或镀锌板制作

Mounting plate

Thickness is 2.0mm ,material is sheet steel or
galvanized sheet steel



桔黄色RAL2003 Orange color RAL2003

Red color RA12012

镀锌板 galvanized sheet steel



